

Model: Model K3		Date: 1-Nov-02	No.: MH310001
Modified Article: Parts Catalog Corrections		Prepared by: M. Mano	
From: Technical Services sec. Service Planning Dept.			
Reason for Modification:	<input checked="" type="checkbox"/> Parts catalog correction	<input type="checkbox"/> Vendor change	<input type="checkbox"/> To meet standards ( )
	<input type="checkbox"/> To facilitate assembly	<input type="checkbox"/> To improve reliability	
	<input type="checkbox"/> Part standardization	<input type="checkbox"/> Other	

The currency symbol for the Euro has been added to the Mask ROM, and the Controller Board modified to accommodate this new part.

**NOTE:** Both the new board and new ROM should be replaced together as a set.

Old part number	New part number	Description	Q'ty	Int	Page	Index	Note
B5165750	B5165753	Controller Board	1	X/O	3	17	
G0565901	G0565903	Mask ROM – PCL	1	X/O	-	-	

**Cut-in Serial Numbers:**

From October '02: J5221000004~

Model: Model K3		Date: 9-Jan-03	No.: MH310002
Modified Article: Parts Catalog Corrections		Prepared by: M. Mano	
From: Technical Services Sec. Service Planning Dept.			
Reason for Modification:	<input checked="" type="checkbox"/> Parts catalog correction	<input type="checkbox"/> Vendor change	<input type="checkbox"/> To meet standards ( )
	<input type="checkbox"/> To facilitate assembly	<input type="checkbox"/> To improve reliability	
	<input type="checkbox"/> Part standardization	<input type="checkbox"/> Other	

The following part has been modified to improve paper size detection reliability.

**Mainframe (H310/H311)**

Old part number	New part number	Description	Q'ty	Int	Page	Index	Note
H5193033	H3103392	Paper Size Sensor - Rear	1	X/O	21	4	

**Optional PFU (H206)**

Old part number	New part number	Description	Q'ty	Int	Page	Index	Note
H5193033	H3103392	Paper Size Sensor - Rear	1	X/O	5	5	

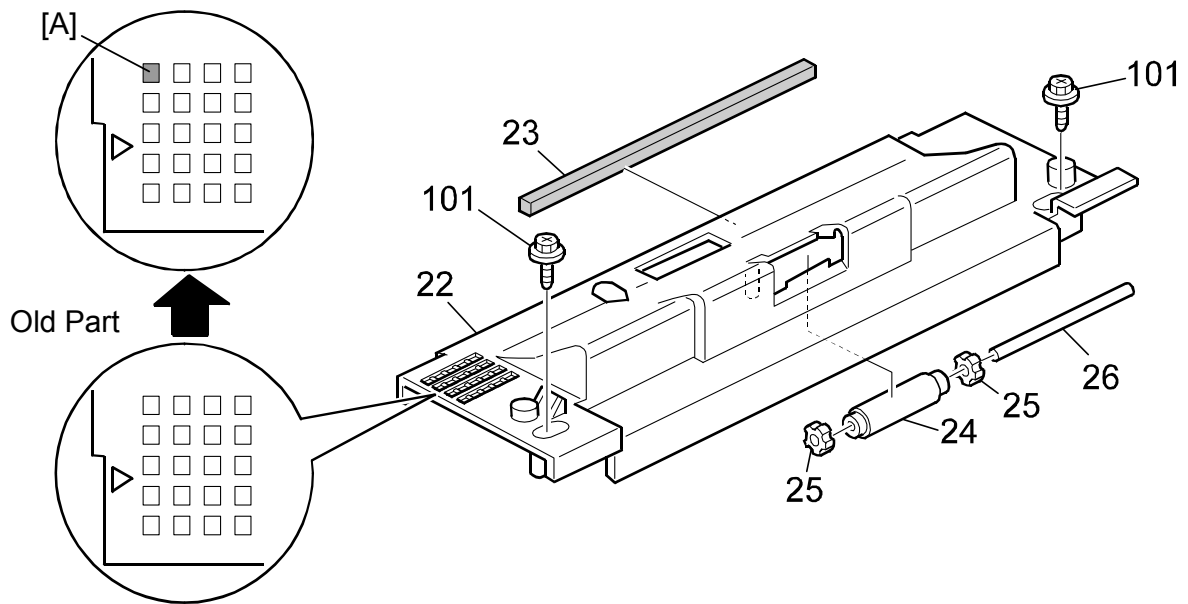
Model: Model K3		Date: 23-Jan-03	No.: MH310003
Modified Article: Parts Catalog Corrections		Prepared by: M. Mano	
From: Technical Services Sec. Service Planning Dept.			
Reason for Modification:	<input checked="" type="checkbox"/> Parts catalog correction	<input type="checkbox"/> Vendor change	<input type="checkbox"/> To meet standards ( )
	<input type="checkbox"/> To facilitate assembly	<input type="checkbox"/> To improve reliability	
	<input type="checkbox"/> Part standardization	<input type="checkbox"/> Other	

To facilitate assembly, the hole in the Exit Guide shown below has been closed (with no change in function).

**Mainframe (H310/H311)**

Old part number	New part number	Description	Q'ty	Int	Page	Index	Note
H3101196	H3101199	Exit Guide	1	X/O	15	22	

New Part: The shaded hole [A] is closed



Model: Model K3		Date: 23-Jan-03	No.: MH310004
Modified Article: Parts Catalog Corrections		Prepared by: M. Mano	
From: Technical Services Sec. Service Planning Dept.			
Reason for Modification:	<input checked="" type="checkbox"/> Parts catalog correction	<input type="checkbox"/> Vendor change	<input type="checkbox"/> To meet standards ( )
	<input type="checkbox"/> To facilitate assembly	<input type="checkbox"/> To improve reliability	
	<input type="checkbox"/> Part standardization	<input type="checkbox"/> Other	

The following parts have been modified to ensure the harness is not pinched when the PFU is installed.

**Optional PFU (H206)**

Old part number	New part number	Description	Q'ty	Int	Page	Index	Note
H3103538	H3103539	Connector Bracket	1	X/O	9	5	
H3105289	H3105270	Upper Relay Harness	1	X/O	9	13	
11050199	11050487	Harness Clamp	1	X/O	9	101	

Model: Model K3		Date: 5-Mar-03	No.: MH310005
Modified Article: Parts Catalog Corrections		Prepared by: M. Mano	
From: Technical Services Sec. Service Planning Dept.			
Reason for Modification:	<input checked="" type="checkbox"/> Parts catalog correction	<input type="checkbox"/> Vendor change	<input type="checkbox"/> To meet standards ( )
	<input type="checkbox"/> To facilitate assembly	<input type="checkbox"/> To improve reliability	
	<input type="checkbox"/> Part standardization	<input type="checkbox"/> Other	

The Function Decal has been changed to the one used on the S-F2 due to a Marketing request for standardization.

**NIC Fax Unit (H210)**

Old part number	New part number	Description	Q'ty	Int	Page	Index	Note
H3114112	H3114113	Function Decal	1	X/O	3	23	